

Self Contained Ice Machine up to 200 Kg



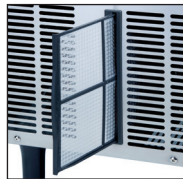
Features

- Produces granular shape ice flakes, 80% hardness
- Up to 200 kg (440 lbs) daily production
- Up to 60 kg (132 lbs) ice storage capacity
- Ice scoop holder safely positioned in ice-storage bin
- Resistant stainless steel exterior
- Advanced diagnostics computerized control
- Front panel in & out airflow (air-cooled model only) for built-in installation
- Front access condenser air filter, removable and washable (air cooled version only)
- Easily accessible, front panel mount, ON-OFF Switch
- Easy, front panel access to technical / service area of the machine
- Routine Maintenance visible alarm light on front panel
- Ergonomically designed ice storage access, with disappearing door
- Door-closing movement dampening system
- Vapor-based microbial control system pouch in ice storage area
- Optional PWD System for remote water drain (easy-fit installation)
- AgION antimicrobial agent embedded in molded plastics parts
- CFC-free R-404A Refrigerant
- 2 years manufacturer warranty on defective components

Easy bin access



Hygienic scoop holder



Proximity condenser air filter

Routine Maintenance Alarm



Front ON-OFF Switch



Electronic



Recessed Connections Panel

AF 206 Technologies



	Compressor	24h		High Water Content	Total Hygiene Concept	Electronic Rotation Control	AgION antimicrobial
		10°: 10°C	21°: 15°C				
		[kg]	[lbs]	[kg]	[lbs]	[kg]	[lbs]
AF 206 AS		200	441	185	407,5	60	132
AF 206 WS		200	441	190	419	60	132

 D W H mm 120 4 3/4"	 [WxDxH mm] 950x605x1006
[WxDxH inches] 37 3/8"x23 13/16"x39 5/8"	
 [v/Hz/ph] 230/50/1	 R 404A

This product qualifies for the following listings:



2 Years Warranty

Subject to certain limitations and exclusions

Flake Ice
Residual water content 20%



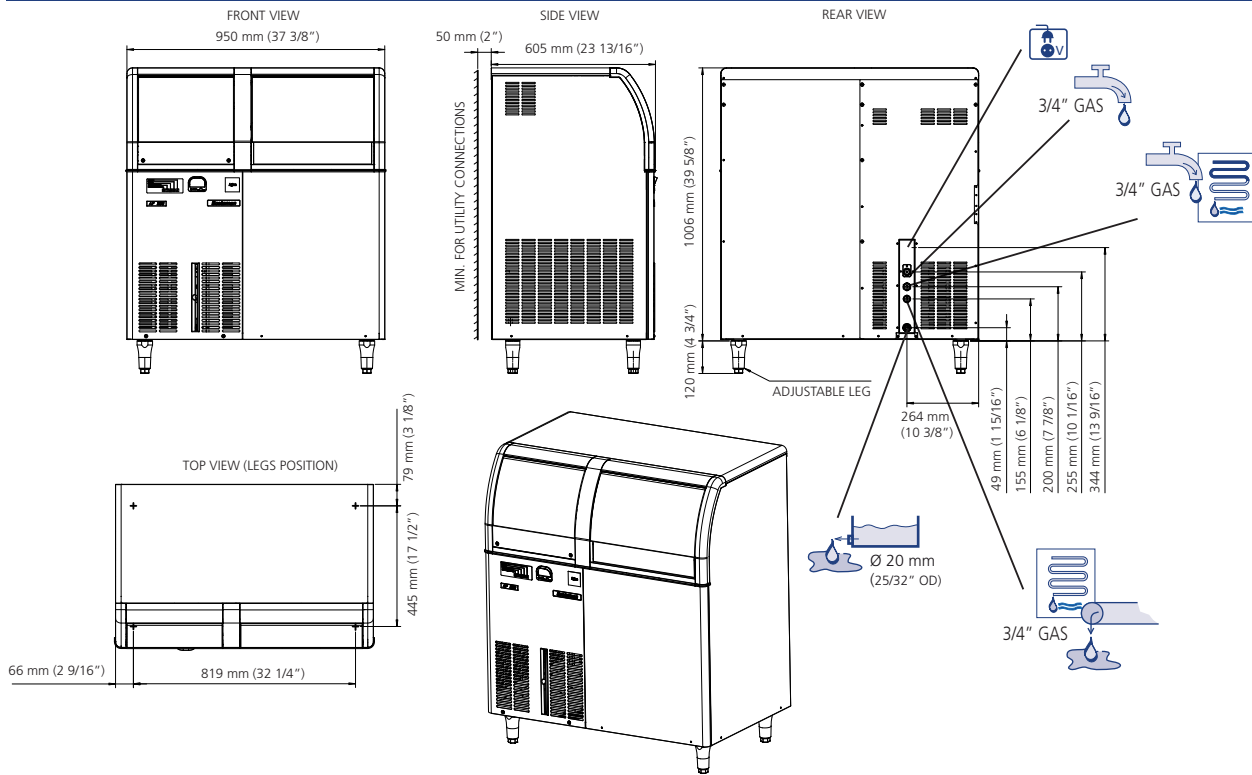
Ice in its most natural form, made at a temperature just below zero degrees Celsius, contains 20% residual water content, making it very moist. Its flake shape makes it extremely versatile and very simple to use effectively.

Certified ISO 9001:2000

www.scotsman-ice.it
www.scotsman-ice.com

Models and specifications are subject to change without notice.

Self Contained Ice Machine up to 200 Kg



AF 206 AIR COOLED

°C	°F				kg
	50°	60°	70°	90°	
10°	200	193	186	172	kg
50°	441	425,5	410	379	lbs
21°	192	185	178	164	kg
70°	423	407,5	392,5	361,5	lbs
32°	169	162	155	141	kg
90°	272,5	357	341,5	311	lbs
38°	153	146	139	125	kg
100	337	322	306,5	275,5	lbs



AF 206 WATER COOLED

°C	°F				kg
	50°	60°	70°	90°	
10°	200	193	186	172	kg
50°	441	425,5	410	379	lbs
21°	197	190	183	169	kg
70°	434	419	403,5	272,5	lbs
32°	189	182	175	161	kg
90°	416,5	401	385,5	355	lbs
38°	183	176	169	155	kg
100	403,5	388	272,5	341,5	lbs



Minimum

10°C (50°F)



5°C (41°F)



-10%



1 BAR
14 psi



Maximum

40°C (104°F)

35°C (95°F)

+10%

5 BAR
70 psi

Model	Compressor	Capacity [Btu/h] [W]	Ice Size [Ømm ²]	Power [W]	FUSE	Energy [kWh] - 100 Kg	Water [l/h]	Ice [kg] [lbs]	Weight [kg] [lbs]
AF 206 AS		6480 1900	1,5	760	10	11,2	6,5 1,7	77 169	90 198
AF 206 WS		6480 1900	1,5	650	10	9	99,4 26,2	77 169	90 198

CONTACT POINTS:

Europe
Scotsman Europe-Frimont S.p.A.
Via Puccini, 22
20010 Pogliano (Milano) Italy
Ph: (+39) 02-93960208
Fax: (+39) 02-93960201
scotsman.europe@frimont.it

Asia and Pacific
Scotsman Ice Systems
Frimont S.p.A. (R.O.)
1 Commonwealth Lane #09-22
One Commonwealth
Singapore 149544
Ph: (+65) 6738 5393
Fax: (+65) 6738 1959
scotsman@scotsman.com.sg

China
Scotsman Ice Systems (Shanghai)
Room 2503, Building 2
20 Xuhong Middle Road, Xuhui District
Shanghai China 200235
Main line: (+86) 21 61313200
Fax: (+86) 21 61313330
scotsman.shanghai@scotsman-china.com

Middle East & N. Africa
Scotsman-Frimont Regional Office (ME/NA)
POBox: 42026, HFZA Sharjah, UAE
Ph: (+97)16 5262 944-16 5262 945
Fax: (+97)165262946
Mob. Ph: (+97)1505505980
Skype: mdawood331393
m.dawood@frimont.ae
fernando.m@frimont.ae

South Africa
Scotsman SA (Pty) Ltd - Ice Systems (Pty) Ltd
P.O. Box 44 - Riverclub - 2149
Lakewood Business Park
Unit 4, 8 - 10 Yaldwyn Road - Jetpark, Boksburg
Ph: (+27) 010 590 0609
(+27) 087 720 0245 / 6 / 7 / 8
Fax: (+27) 11 826 4123 - (+27) 086 634 0803
stuart@scotsmansa.co.za
jennifer@scotsmansa.co.za

Spain
Scotsman España, S.L.U. c/ Galapagar, 12
Polígono Industrial Ventorro del Cano
28925 Alcorcón (Madrid)
Ph: (+34)91-1109796
Fax: (+34)91-6337423
scotsman@scotsman-espana.es
www.scotsman-espana.es